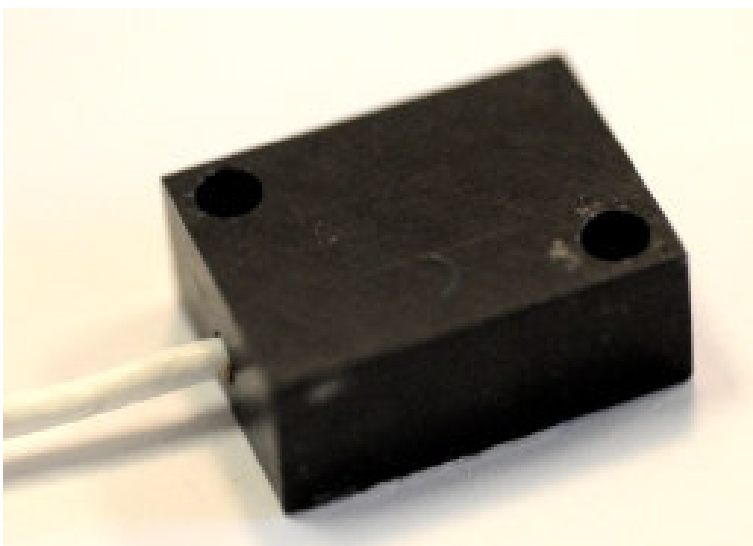


BDI ±50g UNIAXIAL ACCELEROMETER

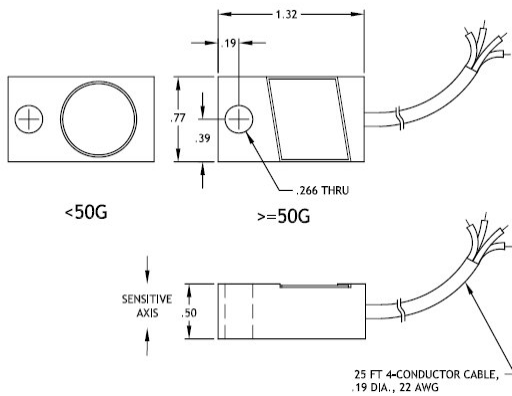
DESCRIPTION:

The BDI ±50g piezoresistive uniaxial accelerometer can be used in laboratory or field testing applications. The small size and simple mounting technique makes this sensor the ideal choice for a variety of vibration recording applications with frequencies between 0-1,000 Hz.



KEY FEATURES:

- Mounts in under two minutes with our standard transducer mounting tabs
- Excellent resolution
- Custom cable lengths
- Weather resistant
- Durable aluminum construction



Specifications	
Full Scale Output Ranges	±50 g
Nonlinearity and Hysteresis (combined)	±1.0% FSO
Frequency Range	0 — 1000 Hz
Transverse Sensitivity	±5% FSO max
Damping Ratio (nominal)	0.7 C @ 70°F
Operating Temp Range	-40°F to 250°F
Compensated Temp Range	70°F to 200°F
Thermal Effects on Zero	±0.02% FSO / °F max
Sensitivity	1mV/g
Excitation (calibration)	5VDC
Excitation (acceptable)	10 VDC max
Bridge Resistance	4000Ω
Strain Gage Type	Semiconductor
Safe Overload	5 X FSO to 2000g
Casing Material	Aluminum